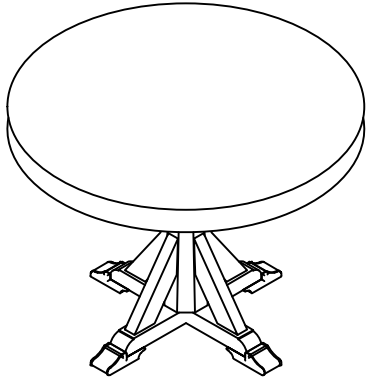


CUSTOMER ASSEMBLY INSTRUCTION

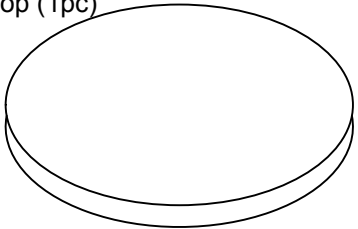


Country Walnut Bar Table
Customer code : 491054

Place the top on the clean floor surface face down. Align holes in base with the holes in the top, ensure the brass indicator marks are in the position show in the instruction and secure with the 4 locking bolts.

Note: Two of people is required to turn the table upside-down . Ensure the legs do not touch the ground. This will avoid the legs being damaged.

1:Top (1pc)



2:Bolt & Washer (4pcs)



3: Allen key (1pc)



4:Base (1pc)

