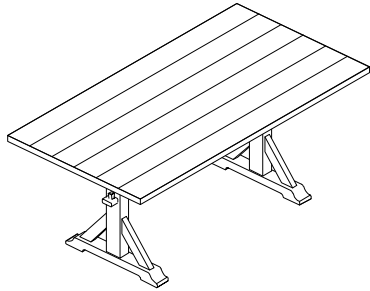


# CUSTOMER ASSEMBLY INSTRUCTION



Solid Country Walnut Dining Table  
Customer code : 491059

## LIST OF COMPONENT

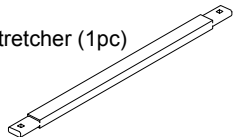
1. Bolt & Washer (4pcs)



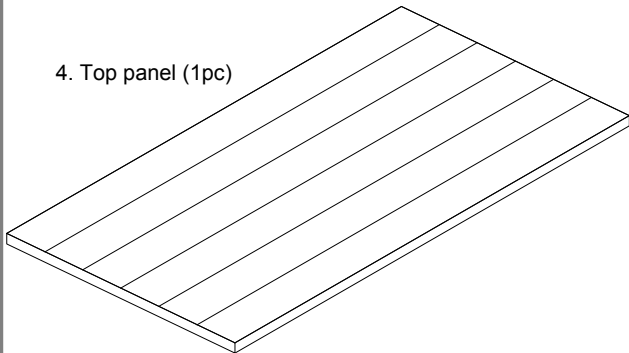
2. Wedge (2pcs)



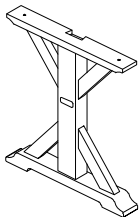
3. Bottom stretcher (1pc)



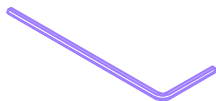
4. Top panel (1pc)



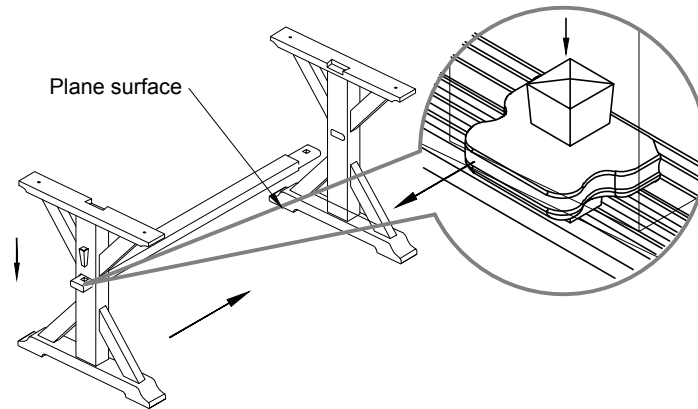
5. Leg (2pcs)



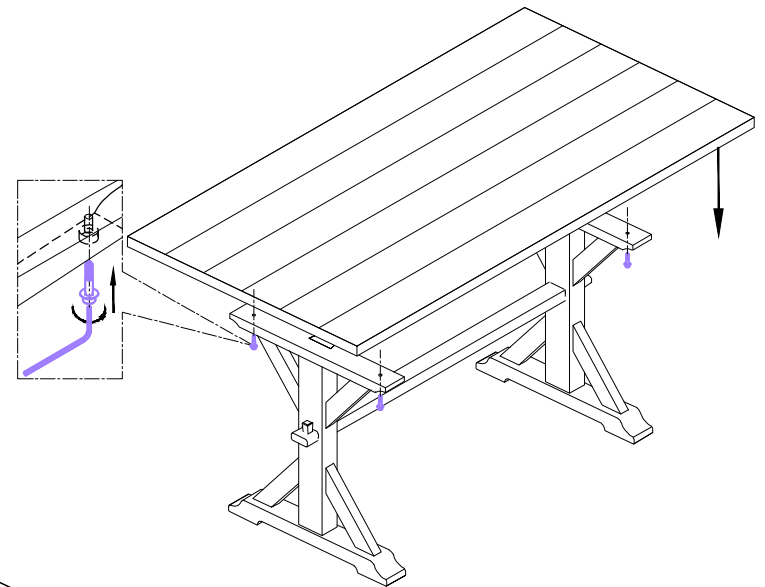
6. Allen key (1pc)



**Step 1 :** Fit bottom stretcher to each end leg. And lock them together by wedge.



**Step 2 :** Place table Top down on Base. Ensure the male pins go right to the female pins. Secure together by locking bolts



**Finish :**

