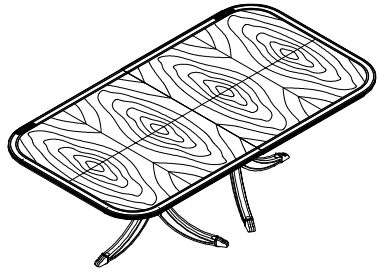


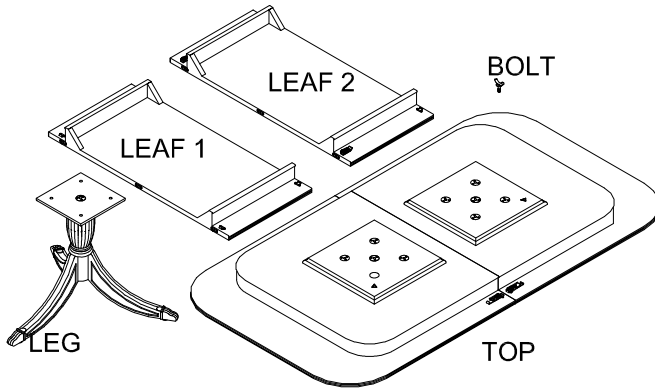
CUSTOMER ASSEMBLY INSTRUCTION



Extending Mahogany Dining Table

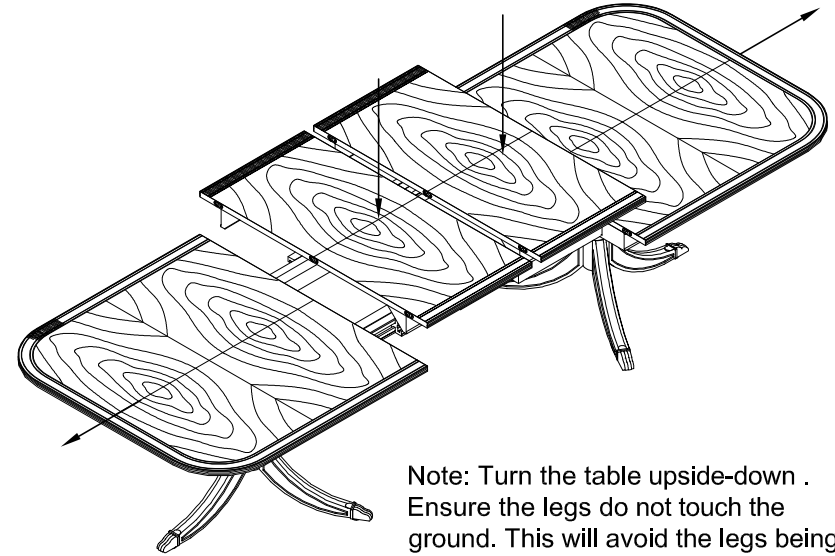
Customer Code : 492865

Numbers are stamped on the face of the brass pivot.



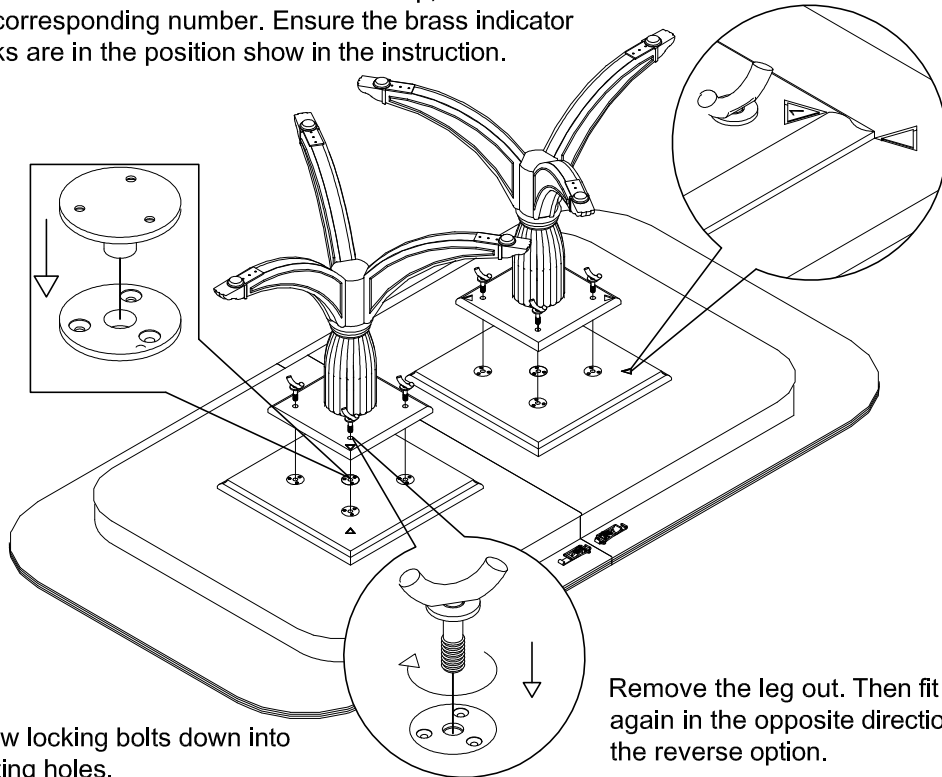
Extending leaf: pull two side-top out until they reach their stop. Place 1 or 2 leaves over wood slide - depend on your demand. Connect them together.

Push side-top inwards until they match the leaf.



Note: Turn the table upside-down . Ensure the legs do not touch the ground. This will avoid the legs being damaged.

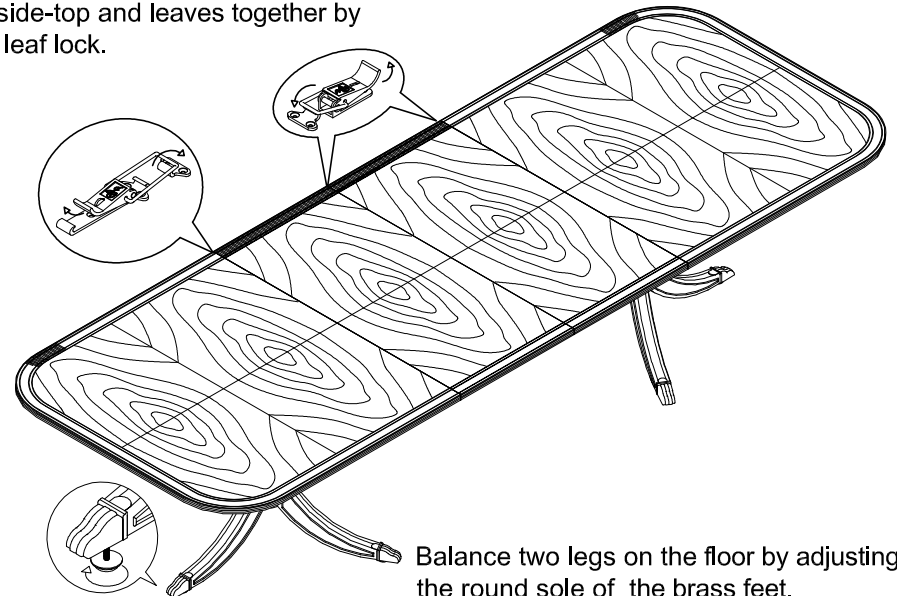
Place the table-top on the floor face down. Take a column and fix to the underside of the top, which has the corresponding number. Ensure the brass indicator marks are in the position show in the instruction.



Screw locking bolts down into locating holes.

Remove the leg out. Then fit it again in the opposite direction for the reverse option.

Lock side-top and leaves together by brass leaf lock.



Balance two legs on the floor by adjusting the round sole of the brass feet.