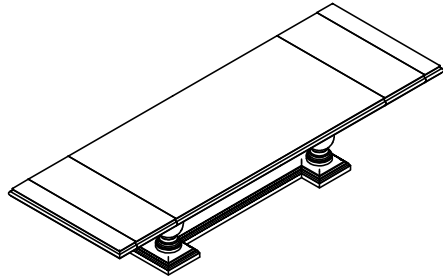


Do not try to assemble this item on your own. You will need at least one other person to assist you lifting the components into place. Assembly should be carried out in the table's final location. Check that all the parts are present as listed before beginning assembly. Should any parts be missing please immediately contact the dealer where you purchased your item.

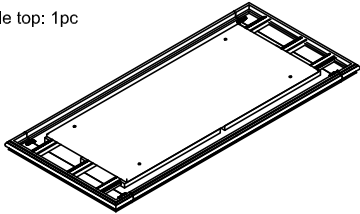


Walnut Dining Table

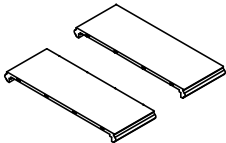
+ Customer code: 495306

PARTS LIST

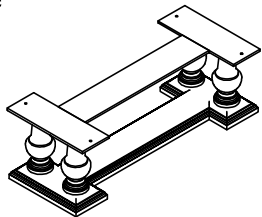
1. Table top: 1pc



2. Leaf: 2pcs



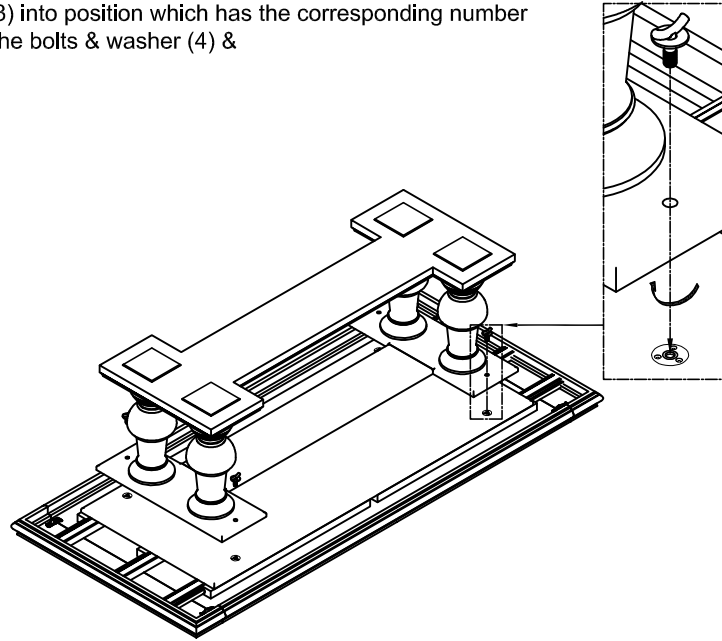
3. Base: 1pc



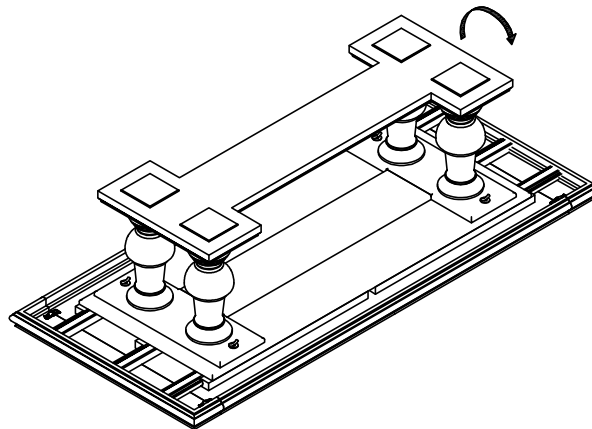
4. Bolt & Washer (4pcs)



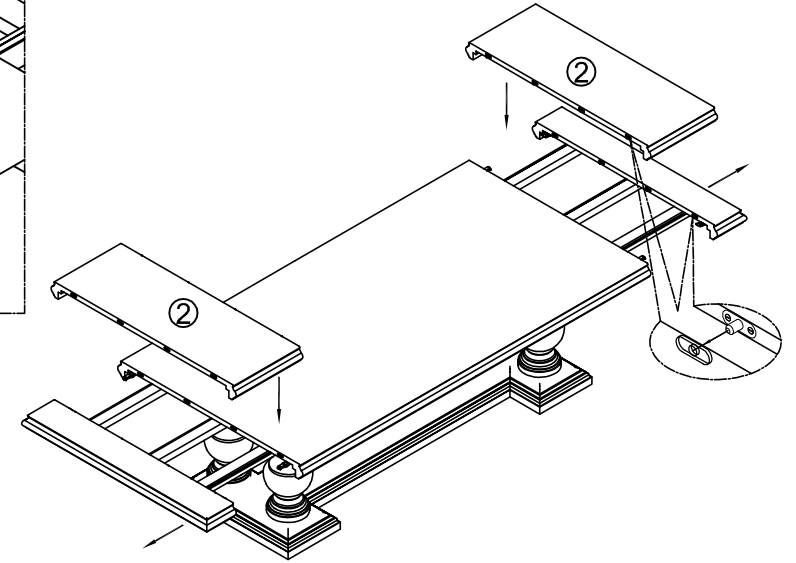
1. **Step 1:** Place the table top (1) upside-down then fit the base (3) into position which has the corresponding number using the bolts & washer (4) &



2. **Step 2:** Once you finish assembly the base into the table top, turn the table upside-down, make sure the base will not be touched to the floor in the process on turning the table.



3. **Step 3:** To open the table top for using the extension leaves, pull the table both ends out then install the 1 or 2 leaf (2) in place, make sure the brass pins align & properly fit.



4. **Step 4:** Close the table by pushing both end in and lock the leaves with the table top by the table leaf locks installed. Adjust the table to its final position by lifting both ends completely up.

