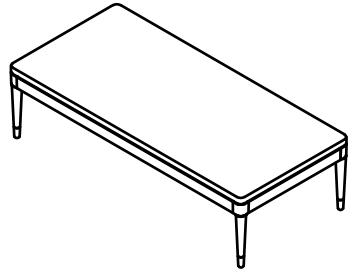


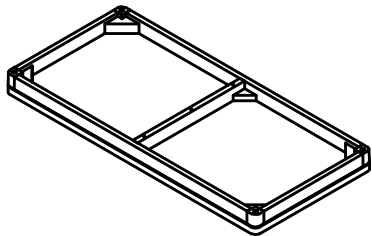
CUSTOMER ASSEMBLY INSTRUCTION



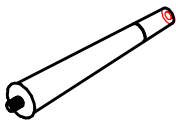
Rectangular Ebonised Oak & White Calcutta Marble Coffee Table

Customer Code: **500198**

LIST OF COMPONENT



1. Top (1pc)



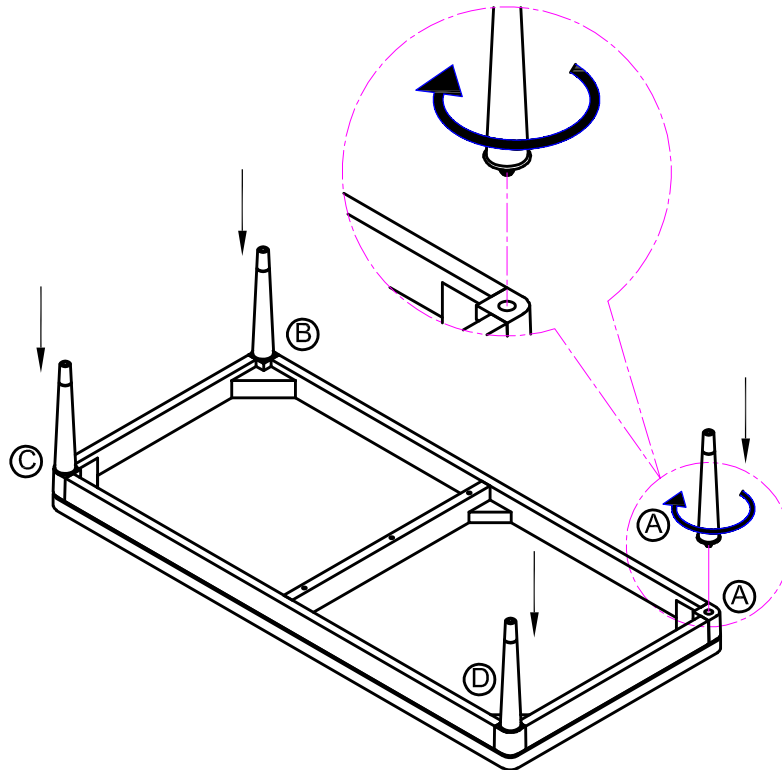
2. Leg (4pcs)

Warning - Please read carefully before you begin assembly.

- a) You will need to place your tabletop face down on the floor for assembly so before starting assembly we strongly recommend that you place a blanket or some form of protection on your floor.
- b) Before assembly it is advisable to select the final location and assemble as close to this as possible.
- c) Check that all the parts are present as listed before beginning assembly. Should any parts be missing please immediately contact the dealer where you purchased your item.

Assembly:

- 1. Each leg and corresponding flange in the underside of the top is lettered to match A to D.
- 2. Match each leg to a flange and insert the bolt at the top of the leg into the flange, turning in a clockwise direction until the leg is tight against the tabletop.
- 3. Repeat with each leg until all four legs are in position.



- 4. To turn the table over you should have someone to assist you to ensure you do not damage the legs. Make sure the legs are clear of the floor while turning the item over.

