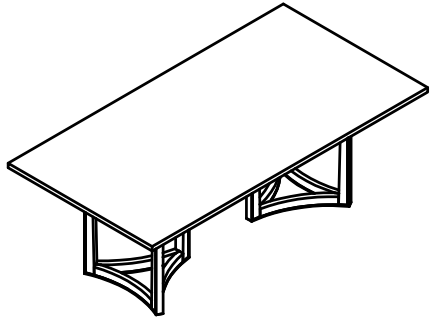


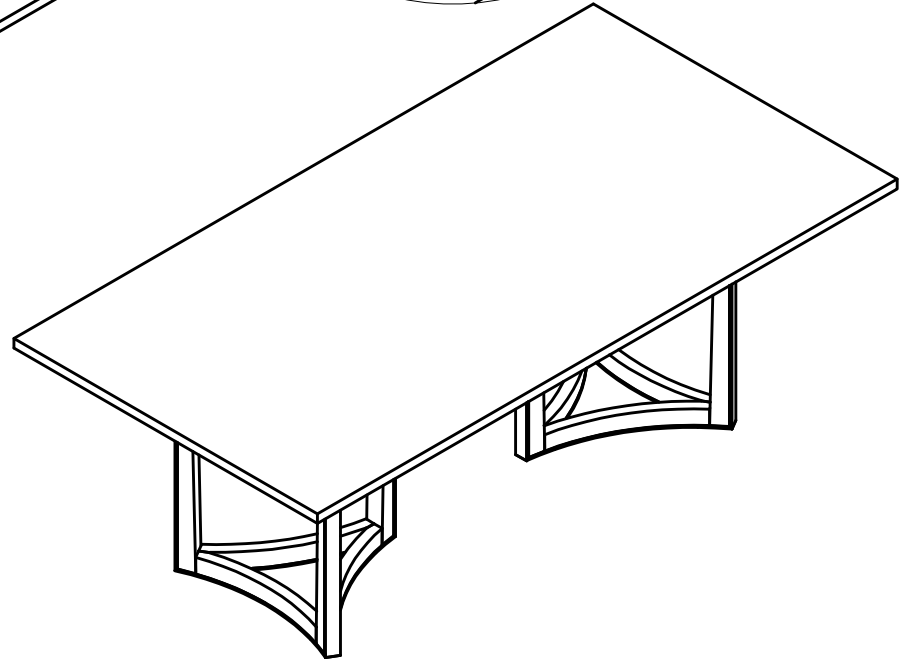
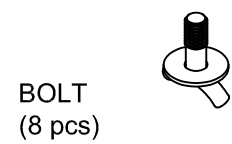
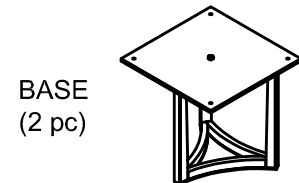
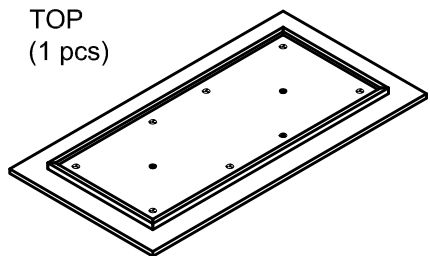
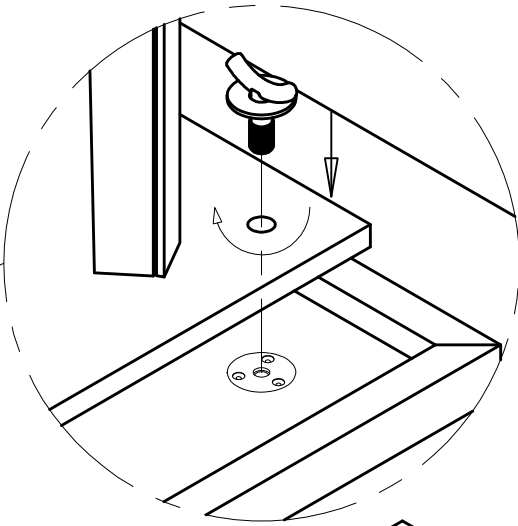
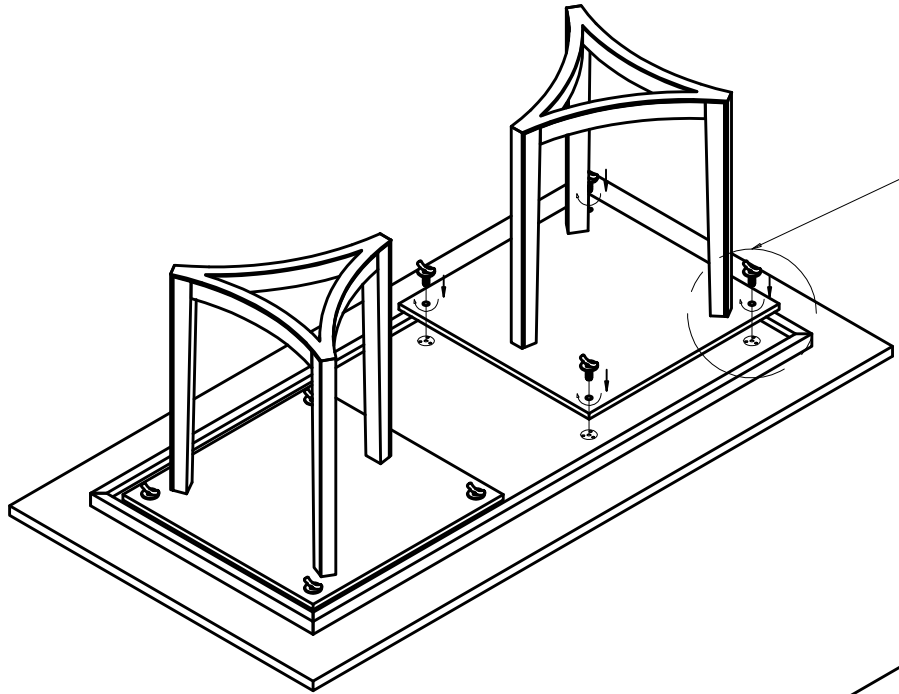
CUSTOMER ASSEMBLY INSTRUCTION

Place the top on the clean floor surface face down. Align holes in base with the holes in the top and secure with the 8 locking bolts.



Dining Table

Customer code : 500261



Note: Two of people is required to turn the table upside-down . Ensure the legs do not touch the ground. This will avoid the legs being damaged.