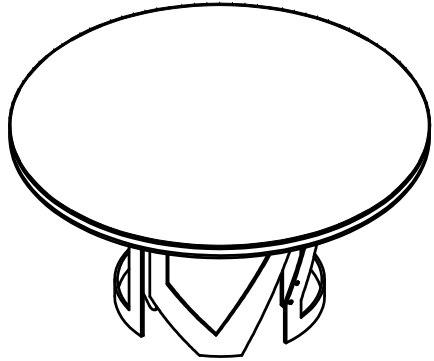


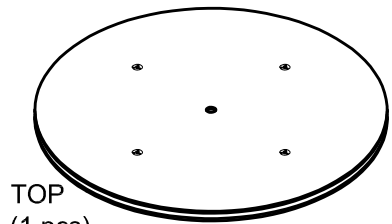
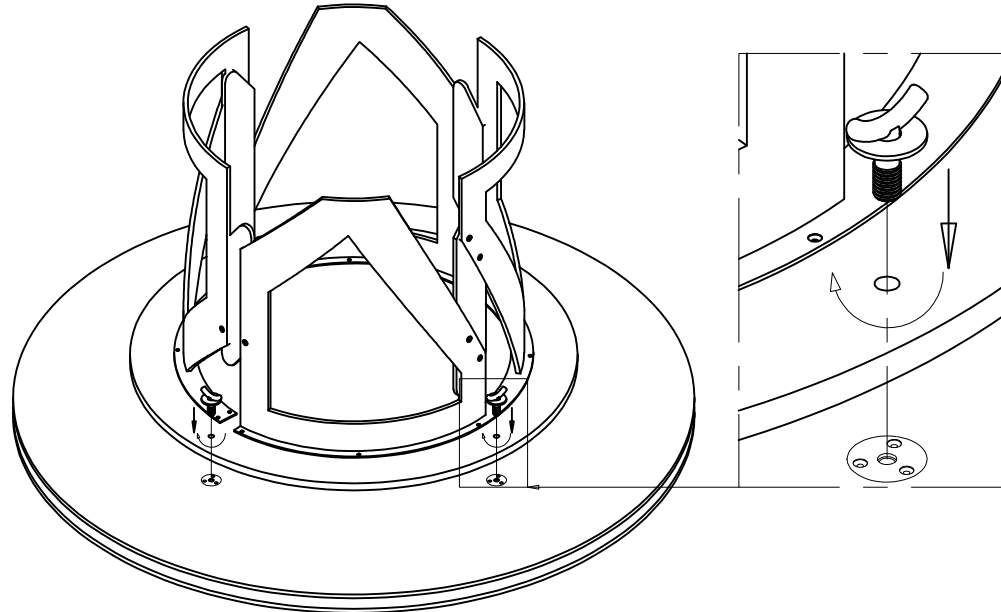
CUSTOMER ASSEMBLY INSTRUCTION

Place the top on the clean floor surface face down. Align holes in base with the holes in the top and secure with the 4 locking bolts.

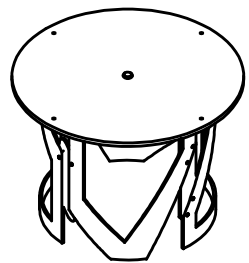


Round Dining Table

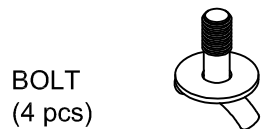
Customer code: 500263



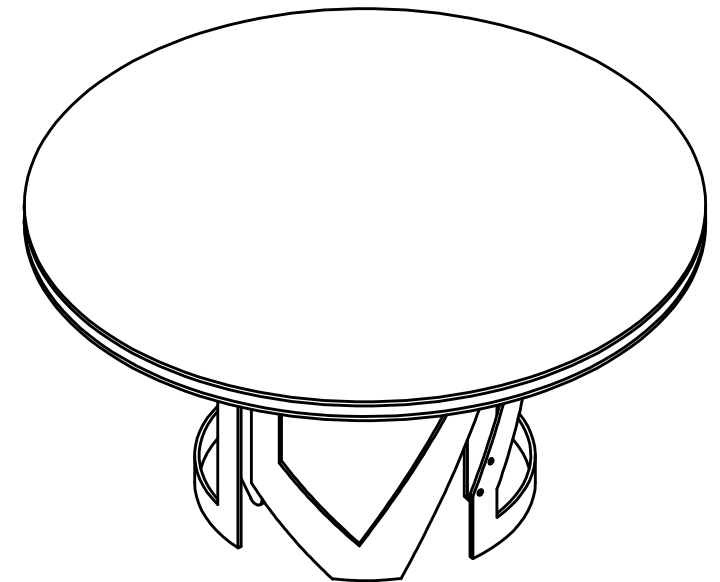
TOP
(1 pcs)



BASE
(1 pc)



BOLT
(4 pcs)



Note: Two of people is required to turn the table upside-down . Ensure the legs do not touch the ground. This will avoid the legs being damaged.