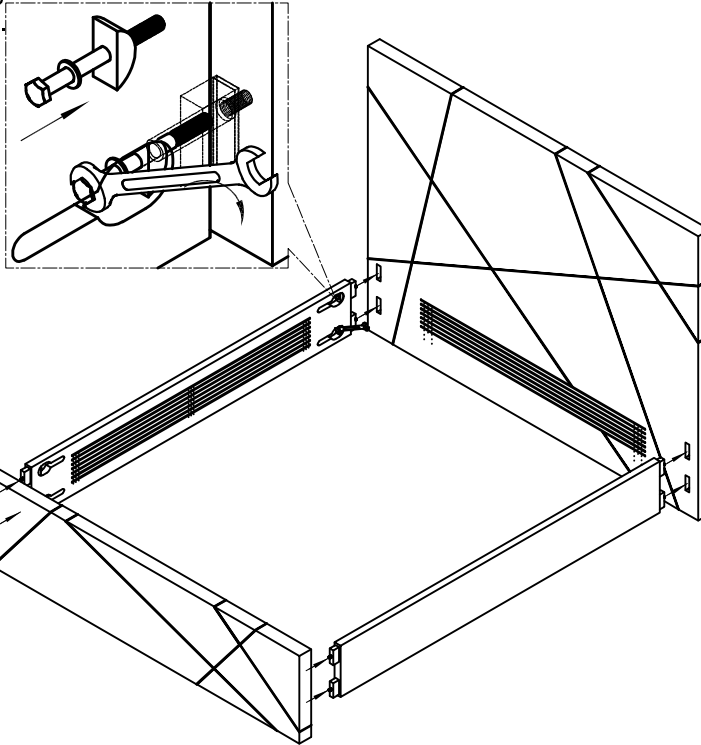
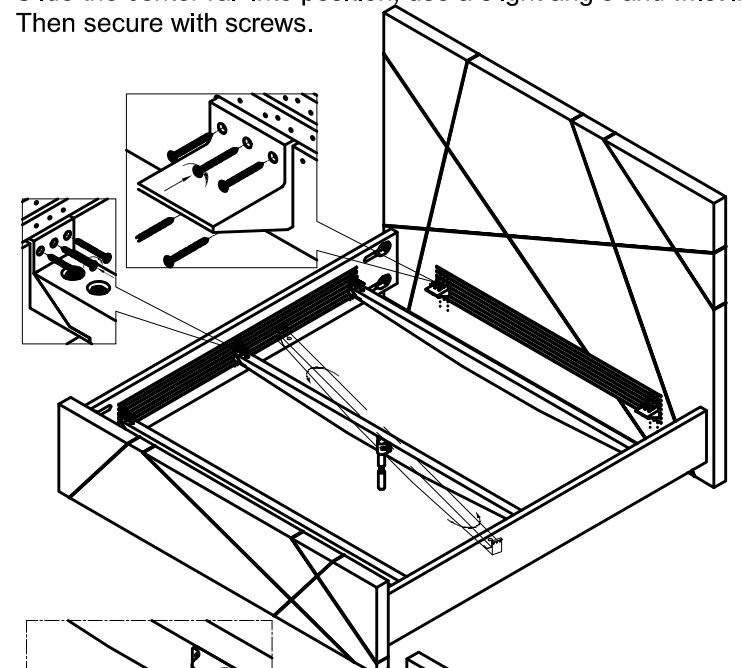


# CUSTOMER ASSEMBLY INSTRUCTION

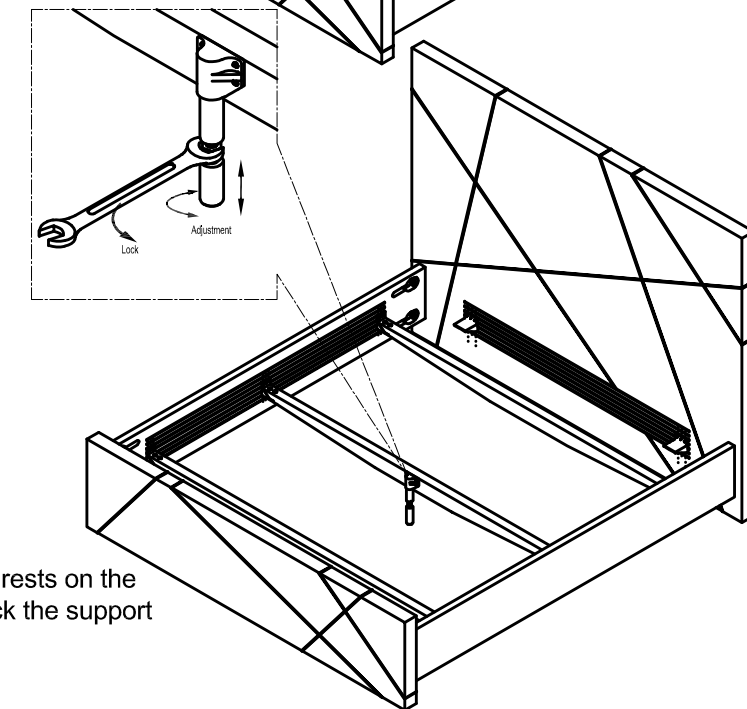
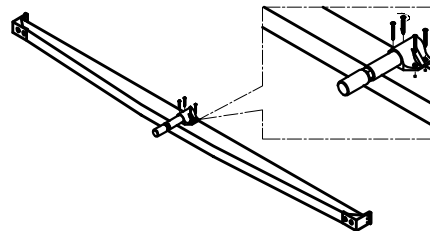
1. Step 1: Slide washer (8) and halfmoon washer (7) over the bolt. Thread bolt through ends of side rail. Screw bolts into headboard & footboard on both sides.



3. Step 3: Screw support bracket to footboard, side rails and headboard. Slide the center rail into position, use a slight angle and twist into place. Then secure with screws.

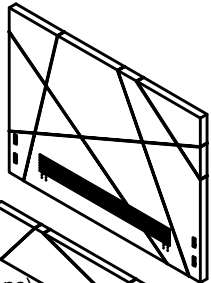


2. Step 2: Screw support post and center rail together.



4. Step 4: Adjust support post until it rests on the floor and the center rail is stable. Lock the support post into position using the nut.

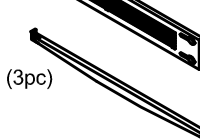
1. Headboard (1pc)



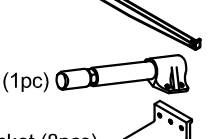
2. Footboard (1pc)



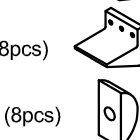
3. Side Rail (2pcs)



4. Center Slat (3pc)



5. Support post (1pc)



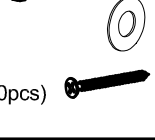
6. Support Bracket (8pcs)



7. Halfmoon washer (8pcs)



8. Bolt (8 pcs)



9. Washer (8 pcs)



10. Steel Screw (50pcs)

